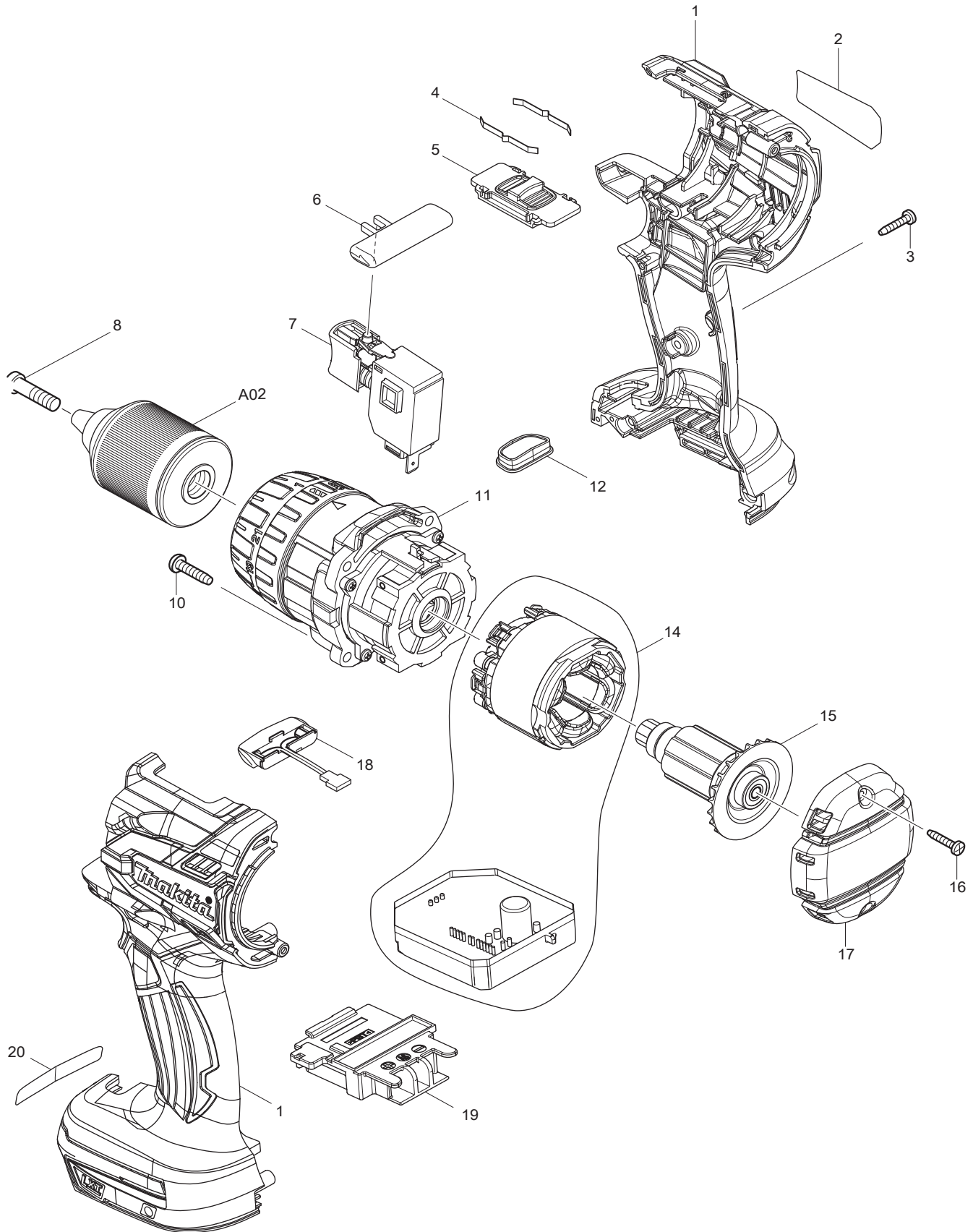




03 - 2014
DDF481RME, DDF481RTE, DDF481Z,
18V BRUSHLESS DRIVER DRILL



Item No	Type	Ref	Part No	S(Description	Qty	Unit
001			187921-4	HOUSING SET	1	SET
		INC.	263005-3	RUBBER PIN 6	2	PC.
002			815S56-2	NAME PLATE F/DDF481	1	PC.
003			266130-9	TAPPING SCREW BIND PT 3X16	7	PC.
004			232220-0	LEAF SPRING	2	PC.
005			126411-2	SPEED CHANGE LEVER ASSEMBLY	1	PC.
005		INC.	233438-6	COMPRESSION SPRING 4	2	PC.
006			419250-0	F/R CHANGE LEVER	1	PC.
007			650710-5	SWITCH C3JW-4B	1	PC.
008			251468-5	- FLAT HEAD SCREW M6X22	1	PC.
010	2		266326-2	TAPPING SCREW 4X18	4	PC.
011			126409-9	GEAR ASSEMBLY	1	PC.
012			142263-3	INDICATOR PANEL COMPLETE	1	PC.
014			629116-8	STATOR COMPLETE	1	PC.
015	2		619397-2	ROTOR	1	PC.
016			266130-9	TAPPING SCREW BIND PT 3X16	2	PC.
017			455011-4	REAR COVER	1	PC.
018			620283-2	LED CIRCUIT	1	PC.
019			643899-6	TERMINAL	1	PC.
020			804A84-4	CAUTION LABEL	1	PC.
100			251314-2	(+) SCREW M4X12 FOR HOOK, BIT HOLDER	2	PC.
- See Catalogue or visit www.makita.ca for more accessories -						
A01			126412-0	GRIP ASSEMBLY	1	PC.
	2	INC.	140R59-4	POLE COMPLETE	1	PC.
		INC.	142653-0	ARM R COMPLETE	1	PC.
		INC.	266886-4	HEX. BOLT M8X65	1	PC.
		INC.	319129-4	ARM L	1	PC.
		INC.	962055-2	RETAINING RING (INT) R-15	1	PC.
A02	2		763248-2	1/2" KEYLESS DRILL CHUCK 13	1	PC.
	3		763252-1	1/2" KEYLESS DRILL CHUCK 13	1	PC.
A03			346449-3	HOOK	1	PC.
A04			452947-8	BIT HOLDER	1	PC.
A05			784637-8	SQUARE DOUBLE ENDED BIT 2-45	2	PC.
A06			821524-1	PLASTIC CARRYING CASE	1	PC.
		INC.	162302-3	LATCH	2	PC.
		INC.	325809-2	SHAFT	1	PC.
		INC.	451749-9	HANDLE	1	PC.
		INC.	453473-0	PLASTIC CASE LID	1	PC.
A07			---	BATTERY CHARGER		
A08			---	18V LI-ION BATTERY		
A09			---	LI-ION BATTERY ACCESSORIES		
A10			---	DRIVER BITS		